

The following instructions are designed to be used for the installation of our LIH-HOL16644 1-1/2" x 1/2" Hollow Flat Bar Iron Baluster.

**IMPORTANT: Please read instructions thoroughly before beginning.**

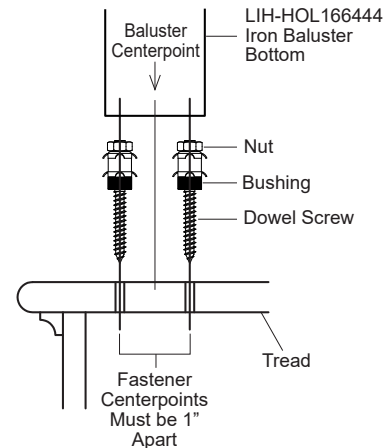
## Open Tread, Level Run and Kneewall Stair Applications:

Follow these instructions for using the LIH-HOL1/2CONCEAL fasteners with LIH-HOL166444 Flat Bar hollow iron balusters to secure the baluster bottoms to open treads, level runs or kneewall.

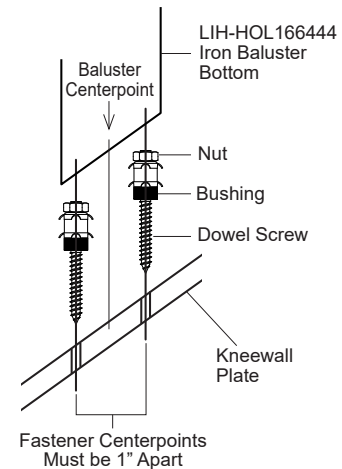
Two fasteners will be needed per baluster. Before starting the installation, balusters should already be trimmed to length and the cut edge(s) deburred.

1. Determine the centerpoint for each baluster. From that centerpoint, mark 1/2" away from the centerpoint in each direction along the centerline. These marks are the locations for installing the fasteners and they must be 1" apart.
2. Drill a 9/64" hole into the tread/kneewall plate 1-1/2" deep at the centerpoints marked above.
3. Install the fastener assembly dowel screw into one of the holes using a 8mm wrench on the nut until the bushing contacts the tread/kneewall plate. Repeat for the second hole.
4. Slide the bottom of the 1-1/2" x 1/2" LIH-HOL16644 hollow iron baluster over the installed fasteners until the baluster bottom is flush to the tread/kneewall plate. CAUTION: Once the baluster is in place on the fasteners, it cannot be removed or repositioned.

### OPEN TREAD OR LEVEL RUN INSTALLATION



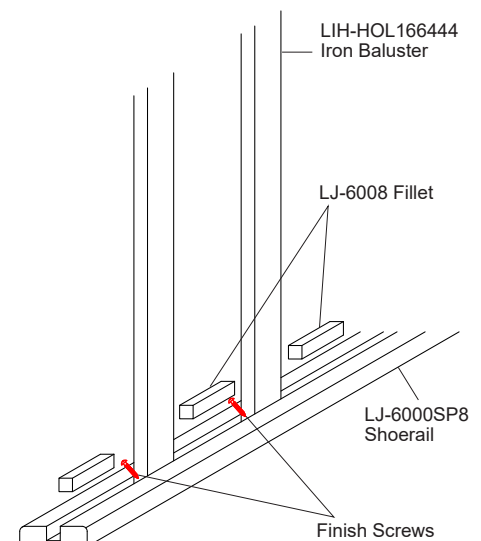
### KNEEWALL INSTALLATION



## Optional Kneewall Stair/Level Run Installation:

Follow these instructions for using LJ-6000SP8 shoerail with LJ-6008 fillet to install the LIH-HOL166444 Flat Bar hollow iron balusters. Before starting the installation, balusters should already be trimmed to length and the cut edge(s) deburred. Shoerail should already be properly secured to the kneewall plate.

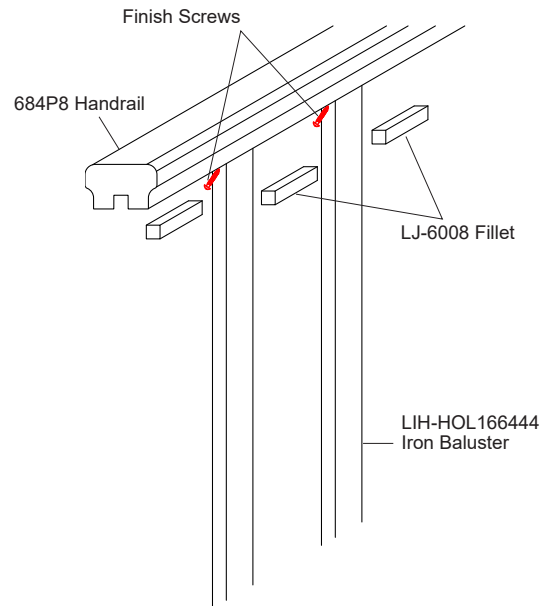
1. Near the bottom of each baluster drill a hole through one of the 1/2" sides to accept a 1-1/2" trim screw.
2. Position the balusters in the plow of the shoerail. Secure each baluster to the shoerail with a 1-1/2" trim screw in the predrilled hole. NOTE: Spaces between balusters should not exceed 3-7/8".
3. Trim fillet to length to place in the plow between the balusters making sure fillet accommodates the screw head.
4. Using wood glue, install the cut fillet pieces between the balusters.



## Installation to the Handrail:

Follow these instructions for using 684P8 handrail with LJ-6008 fillet to install the LIH-HOL166444 Flat Bar hollow iron balusters. Before starting the installation, balusters should already be trimmed to length and the cut edge(s) deburred. Handrail should already be properly secured to the newel posts.

1. Near the top of each baluster drill a hole through one of the 1/2" sides to accept a 1-1/2" trim screw.
2. Position the balusters in the plow of the handrail. Secure each baluster to the handrail with a 1-1/2" trim screw in the predrilled hole. NOTE: Spaces between balusters should not exceed 3-7/8".
3. Trim fillet to length to place in the plow between the balusters making sure fillet accommodates the screw head.
4. Using wood glue, install the cut fillet pieces between the balusters.



35280 Scio-Bowerston Road • Bowerston, OH 44695  
740-269-2221 • (Fax) 740-269-9047  
www.ljsmith.net • ljsmith@ljsmith.net